



TYPE: DIS-323AL/SS



DIS-323AL & DIS-323SS ATEX Display

Features

- Flameproof enclosure for use in gas and dust hazardous areas
- Loop powered
- ±99999 display, 10mm high
- IP66 sealed
- Available in aluminium or stainless steel
- Comes with ATEX certification for Zones 1 and 2
- Root extractor and lineariser
- Programmable units of measurement
- Configurable via free Windows compatible software

Typical Applications

- Vessel weighing
- Winch monitoring
- Crane weighing
- Module weighing

Description

The DIS-323AL and DIS-323SS are flameproof field mounting loop powered indicators that only introduce a 2.3V drop, making them suitable for inclusion in almost any 4-20mA loop. The two instruments are electrically identical but have different enclosure materials. The DIS-323AL is housed in an epoxy painted aluminium enclosure and the DIS-323SS in a 316 stainless steel enclosure. Both provide IP66 and NEMA Type 4X protection.

Configuration and calibration of the indicators is performed via simple Windows compatible software running on a PC connected to the instrument via a temporary communications cable. The view button on the front of the indicator adjacent to the terminals provides a rapid check of loop function and instrument calibration with no risk of the calibration being accidentally changed.

Both instruments are suitable for use in zone 1 and 2 hazardous areas, and units of measurement can be displayed in up to five digits, entered via the configuration software.

Specification

Input	2 wire 4-20mA (min operating = 3.8mA, max operating = 20.2mA)
Voltage	(Less than 2.3V) 30Vdc max
Accuracy	At 20°C: ±0.0012% Temp effect: ±0.015% of span/°C max Stability: 1 year - 0.08mA 2 year - 0.14mA 3 year - 0.18mA
Display type	Liquid crystal, 10mm high
Display range	-99999 to +99999
Resolution selectable	0, 1 or 2 digits after the decimal point, or max number possible
Polarity	Automatic minus sign
Direction	Display may increase or decrease with increasing current
Reading rate	10 per second
Scale legend type	Liquid crystal, 6mm high
Scale legend digits	5 alphanumeric characters entered via configuration software
Case material	DIS-323AL: aluminium, polyester powder coated DIS-323SS: 316 stainless steel
Terminals	Screw clamp for 0.5
Operating Temperature	-20 to +60°C
Storage temperature	-45 to +85°C
Humidity	To 95% non condensing
Environmental sealing	IP66
Code	Group II, Category 2GD Ex d IIC T6/T85°C
Hazardous locations	Zone 1, 2, 21 or 22
Cert. No.	ISSeP08ATEX035X
Weight	DIS-323AL: 1.6kg, DIS-323SS: 3.2kg

Available Options

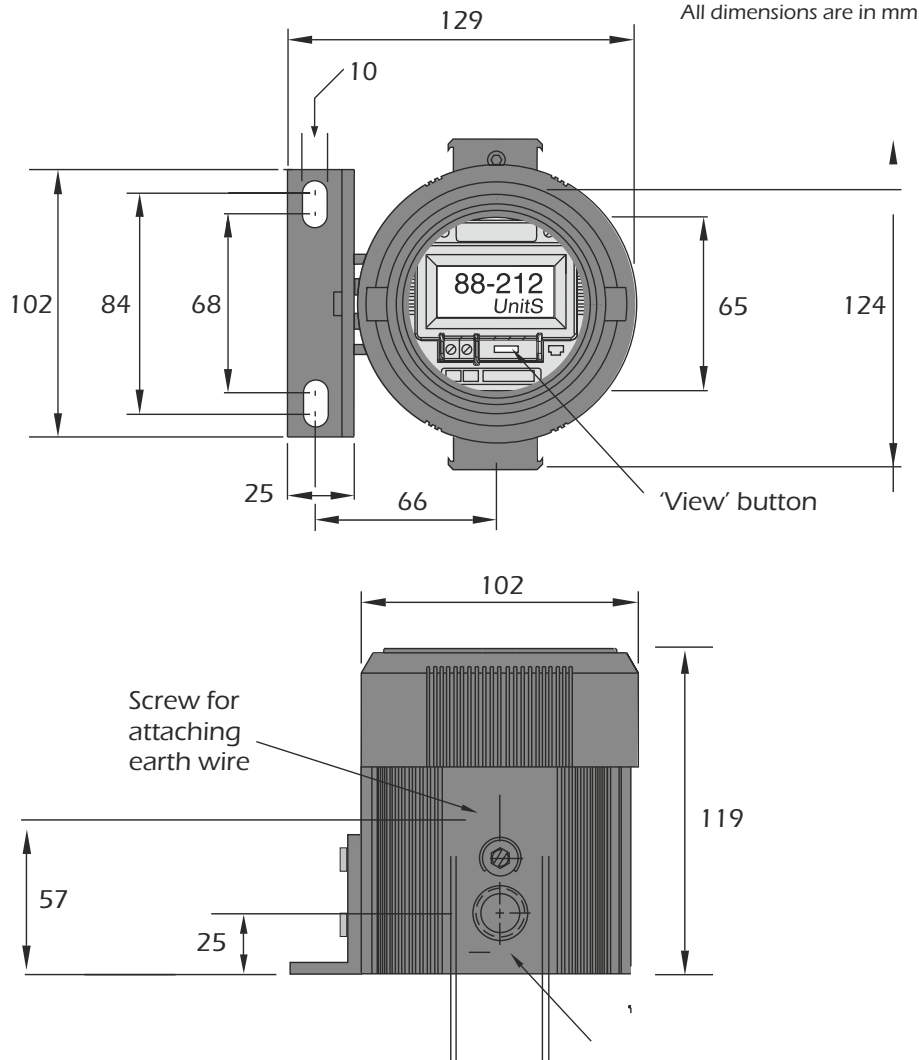
- Tag strip (themally printed label)
- Tag plate (etched tie-on stainless steel label)
- Pipe mounting kit (stainless steel 'U' bolt to fit up to 50mm outside diameter pipe)



DIS-323AL & DIS-323SS ATEX Display



Dimensions



Two M20 x 1.5 cable entries (model number suffix M)
or two 1/2 inch NPT cable entries (model number suffix N)

Ordering Information

Please specify

Model Number	Aluminium enclosure Stainless steel enclosure	DIS-323AL DIS-323SS
Entry Threads	M20 x 1.5 1/2 inch NPT	Model number suffix -M Model number suffix -N
Calibration	Display at 4mA Display at 20mA Units of measurement	xxxxx {include decimal point position xxxxx {and sign if negative * xxxxx
Accessories	Tag strip Tag plate Pipe mounting kit	Legend Legend BR391 Pipe mounting kit)

* Will be set to display at 0.00 at 4mA and 100.00 at 20mA with tonnes as unit of measurement if calibration information is not supplied

www.lcmsystems.com

LCM Systems Ltd

Unit 15, Newport Business Park, Barry Way
Newport, Isle of Wight PO30 5GY UK

Tel: +44 (0)1983 249264

sales@lcm systems.com

www.lcm systems.com

Due to continual product development, LCM Systems Ltd reserves the right to alter product specifications without prior notice.

Issue No. 1

Issue date: 28/03/2014

APPROVED

(unapproved if printed)

